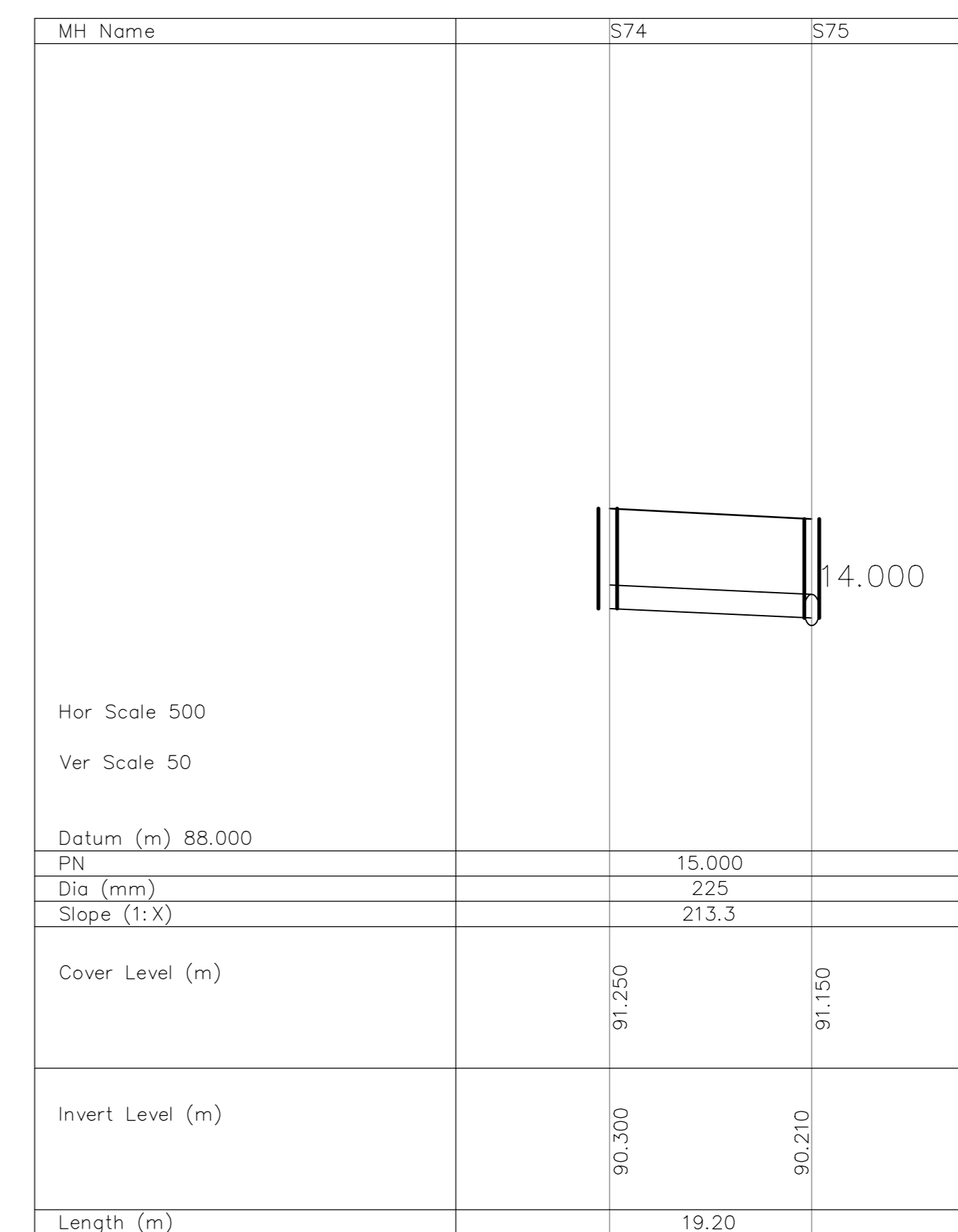
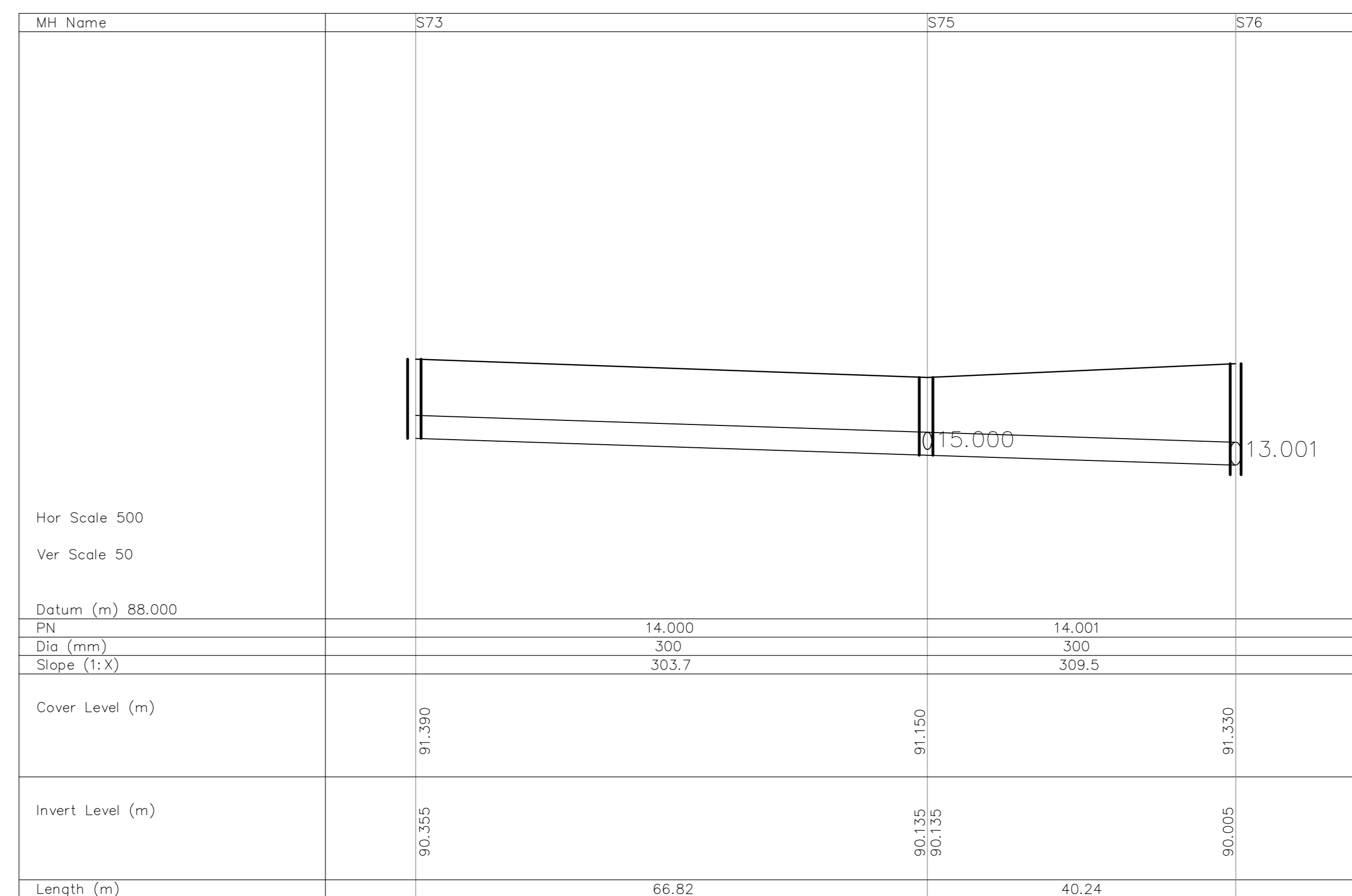
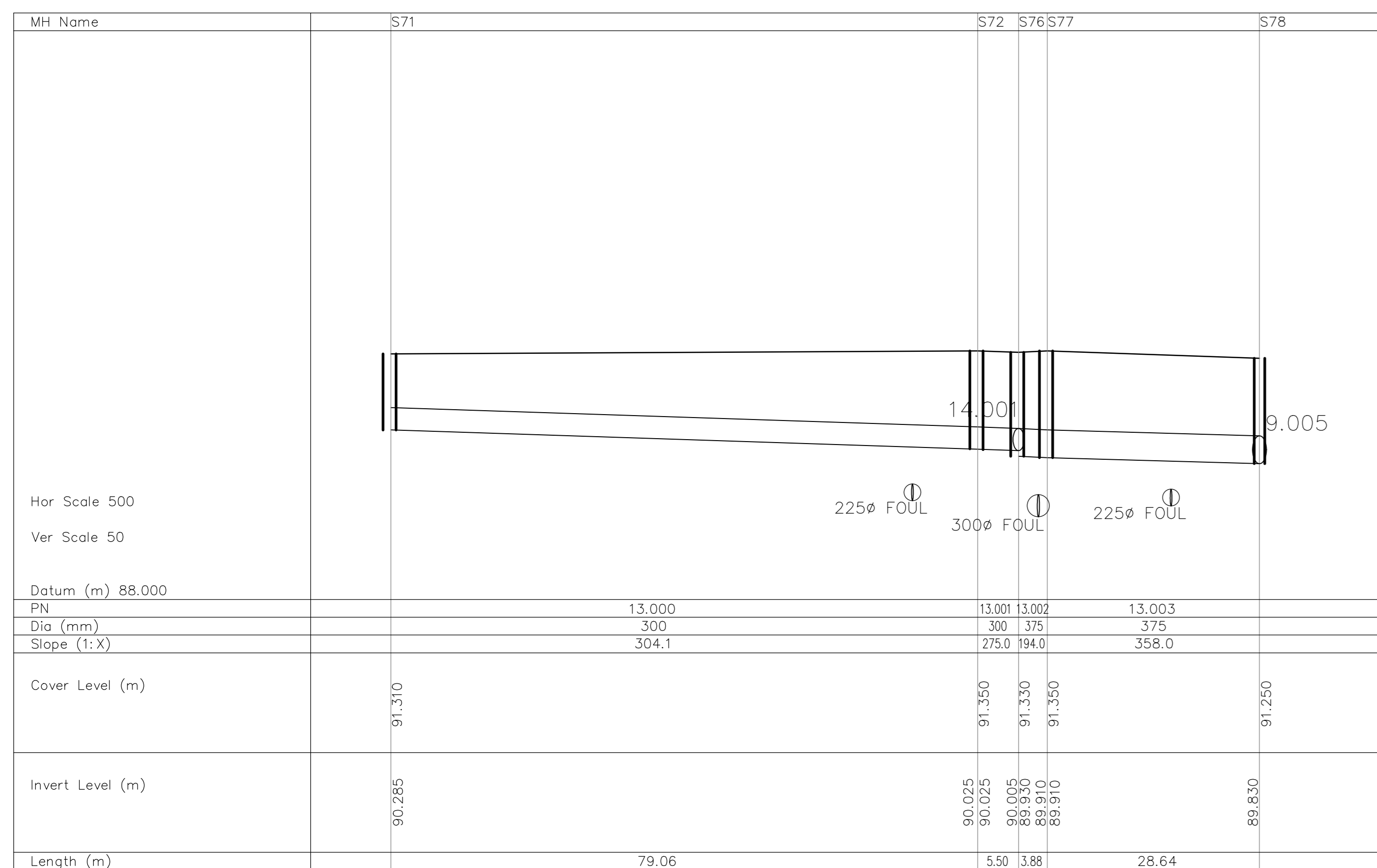
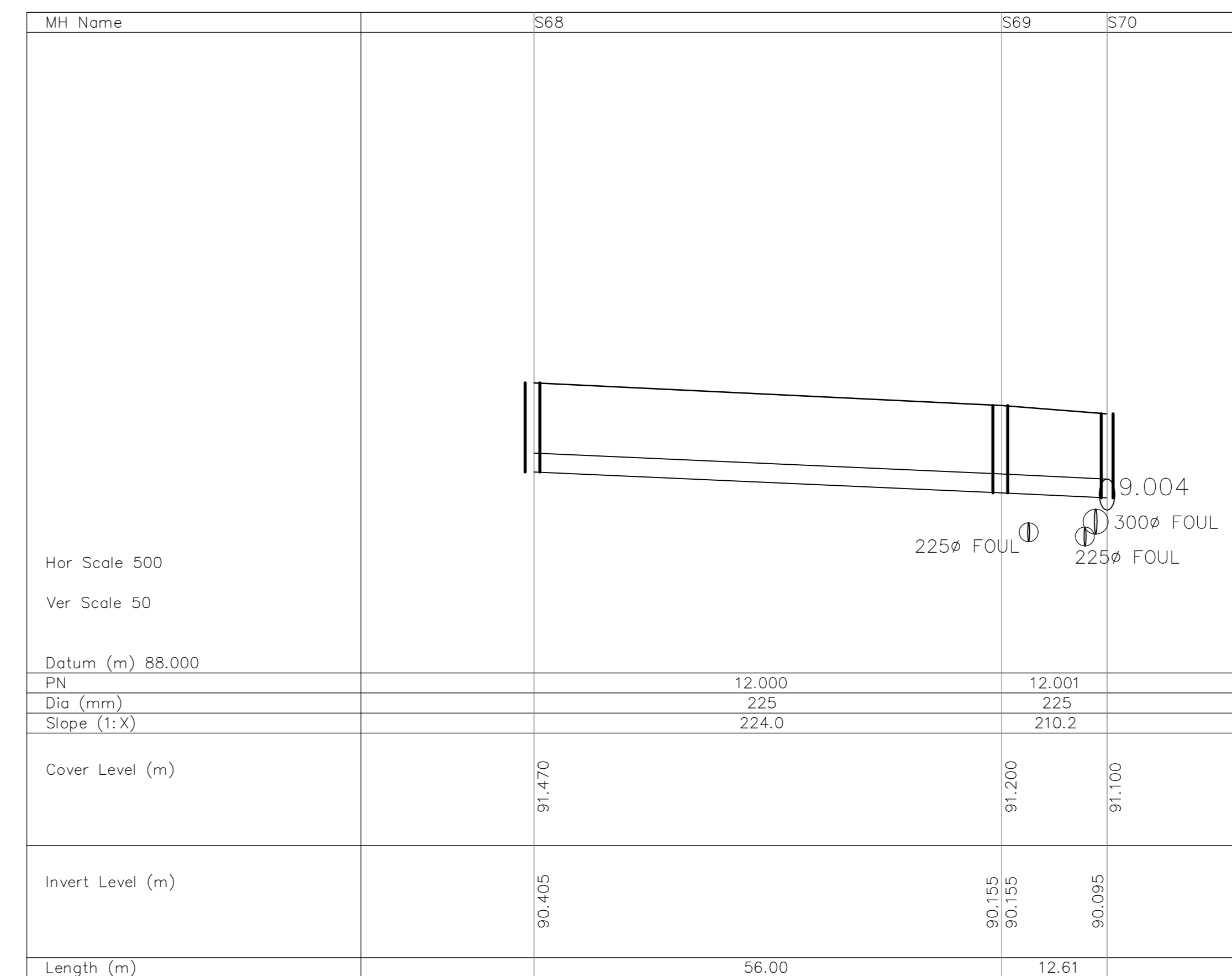
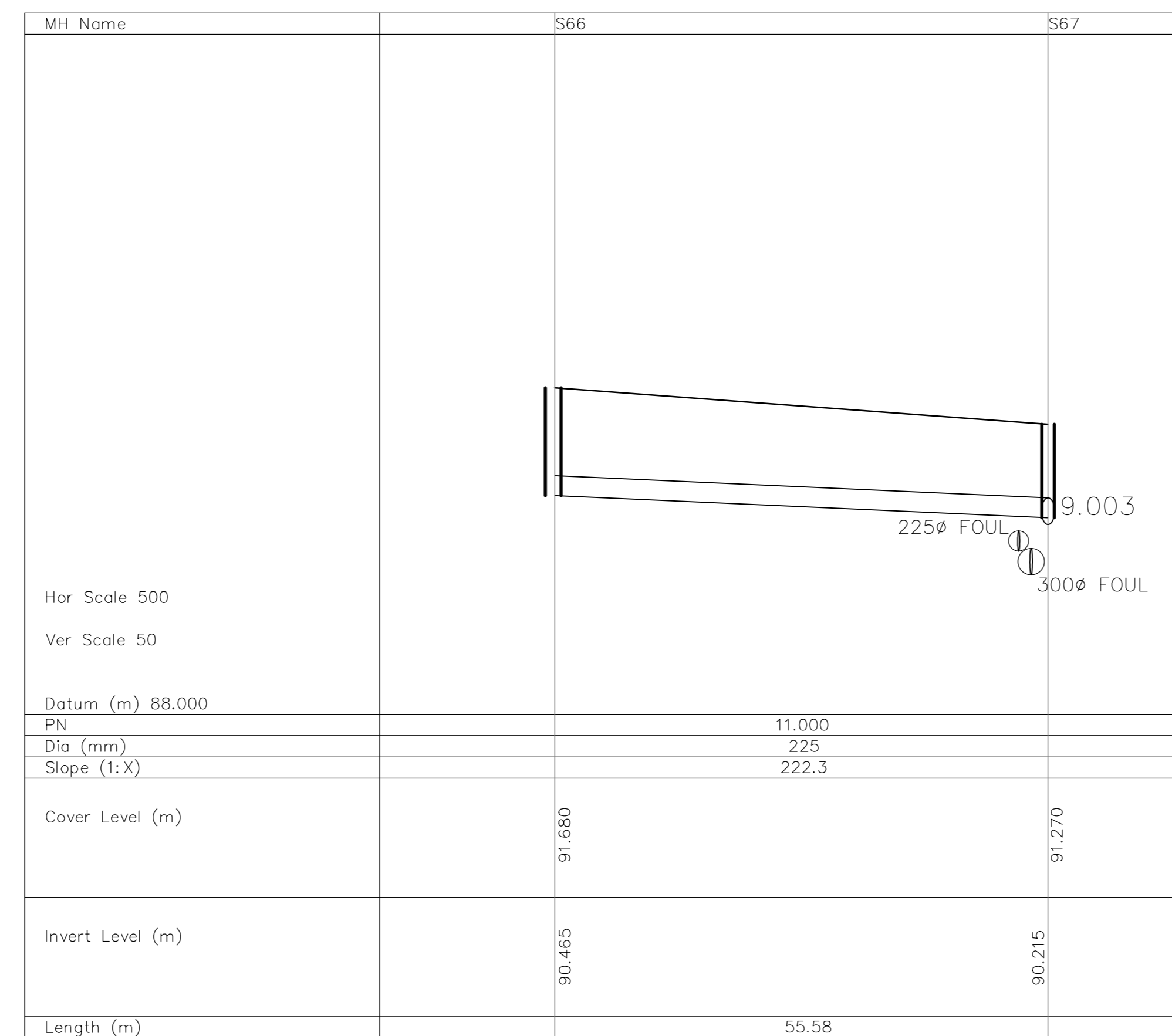
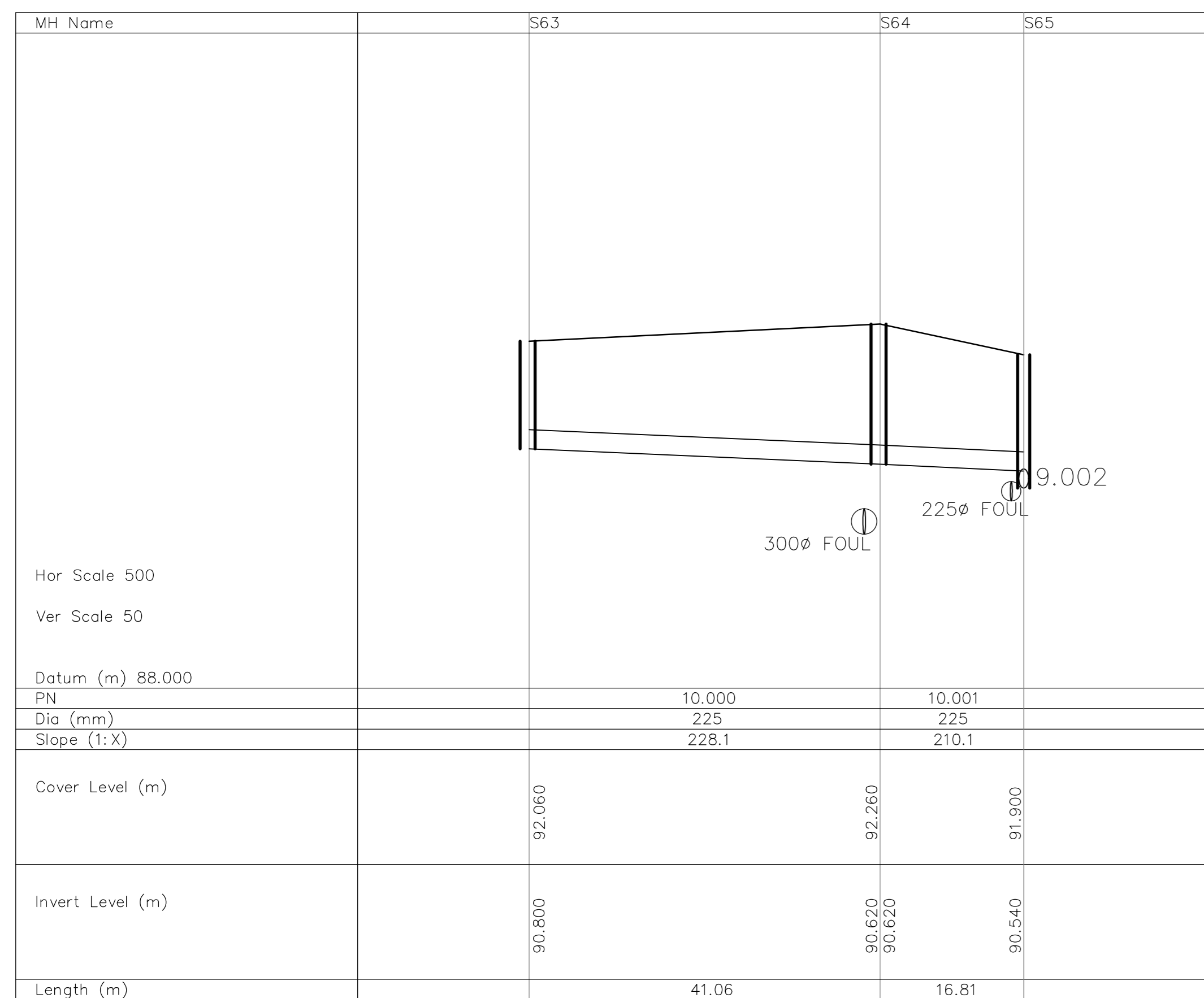
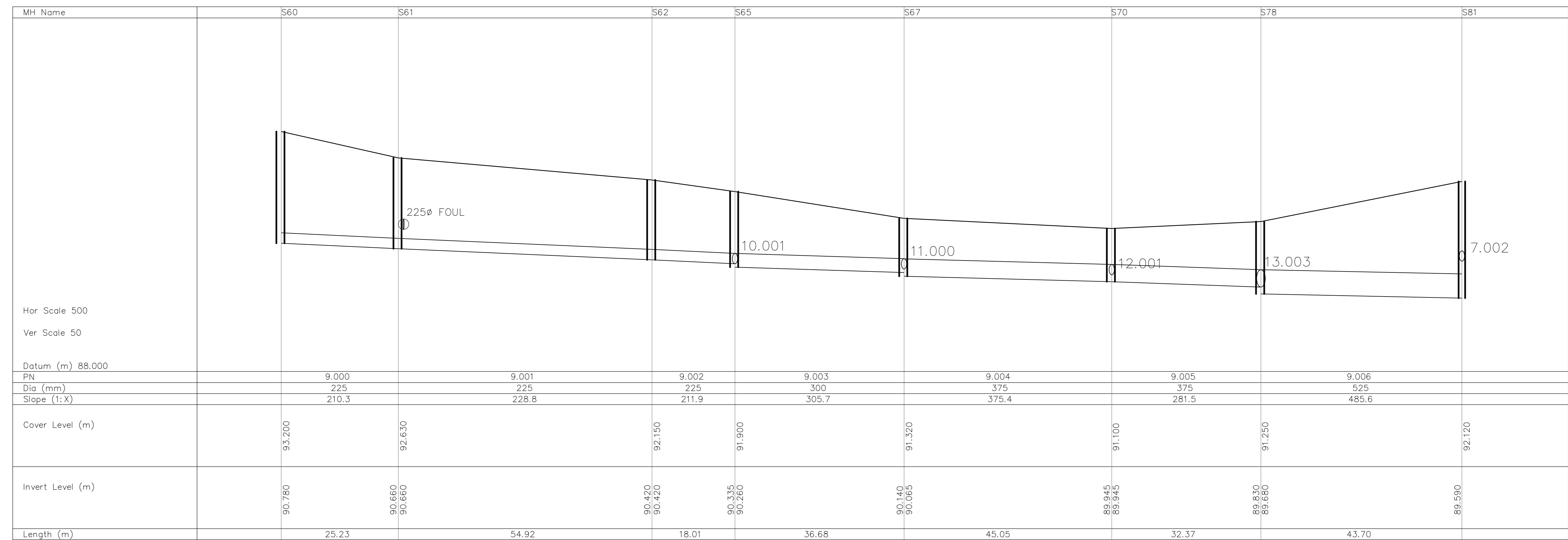
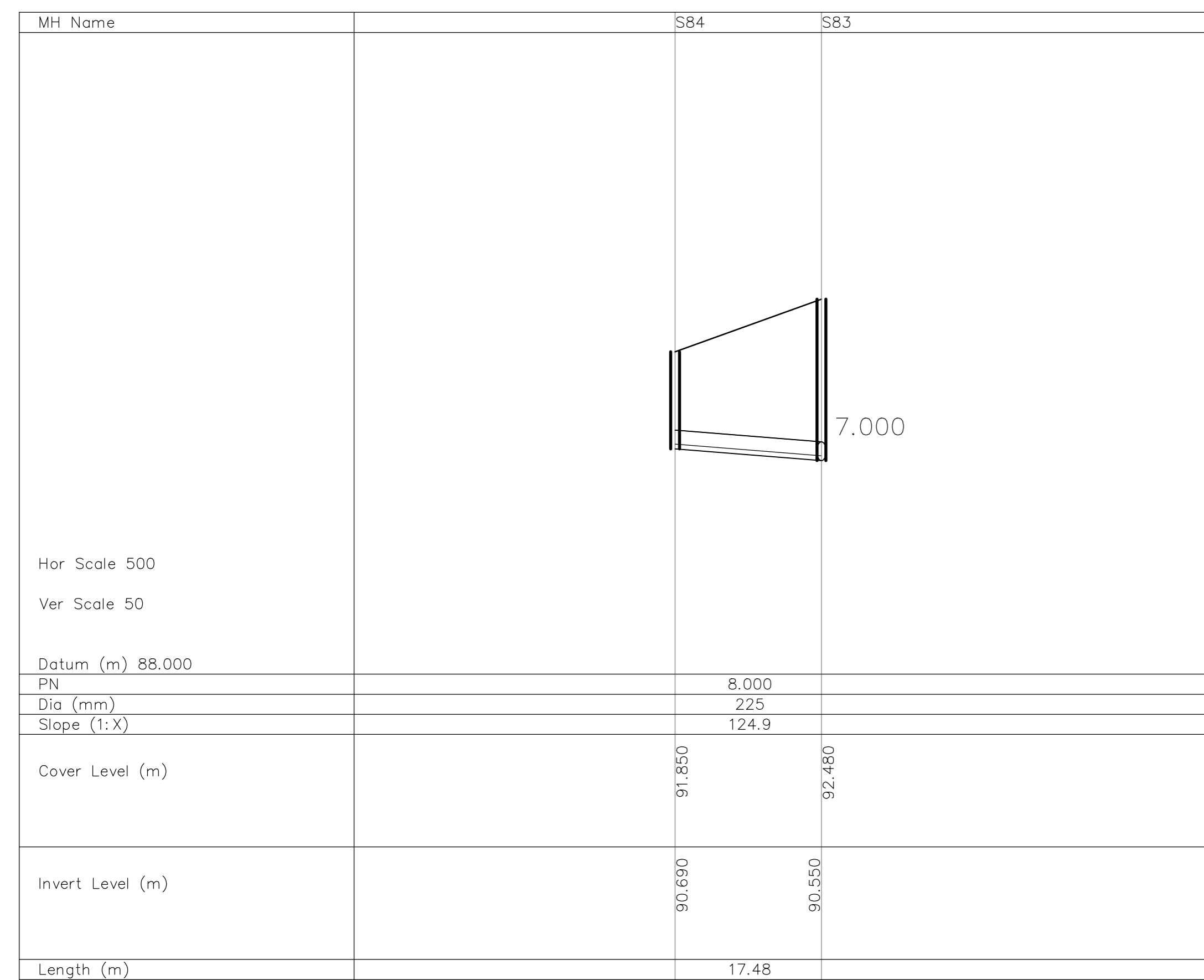


A0



PL5	22-09-19	SB	PK	ISSUED FOR PLANNING
Rev				
Rev				
Rev				

RESIDENTIAL DEV. AT MORRISTOWNBILLER NEWBRIDGE, Co. KILDARE

LONGITUDINAL SECTIONS THROUGH STORM WATER DRAINAGE NETWORK 3/4

Drawn	SB
Checked	PK
Approved	
Date	13/10/17

**KAVANAGH BURKE CONSULTING ENGINEERS**  
 01 - 450 0694 Unit G3, O'Connell Pl., Ballymount, Dublin 12.  
 01 - 428 4340  
 Email: kavanagh@kavanaghburke.ie

DDA ARCHITECTS  
 PLANNING

D1493-1 D11-3 PL5